

ORDINANCE NO. 2016-23

FIRE CODE

ORDINANCES OF THE COUNTY OF CONTRA COSTA, THE CROCKETT-CARQUINEZ FIRE PROTECTION DISTRICT, AND THE CONTRA COSTA COUNTY FIRE PROTECTION DISTRICT ADOPTING THE 2016 CALIFORNIA FIRE CODE WITH AMENDMENTS.

The Contra Costa County Board of Supervisors, as the Board of Supervisors for Contra Costa County and as the Board of Directors of the Crockett-Carquinez Fire Protection District and the Contra Costa County Fire Protection District, ordains as follows:

SECTION 1. ADOPTION OF THE CALIFORNIA FIRE CODE.

Contra Costa County, the Crockett-Carquinez Fire Protection District, and the Contra Costa County Fire Protection District hereby adopt the 2016 California Fire Code (California Code of Regulations, Title 24, Part, 9 [based on the 2015 International Fire Code published by the International Code Council]), including Chapters 1-10 and 12-80, Appendix B, Appendix C, Appendix D, Appendix F, Appendix H, Appendix I, Appendix J, and Appendix K, as amended by the changes, additions, and deletions set forth in this ordinance. The 2016 California Fire Code, with the changes, additions, and deletions set forth this ordinance, is adopted by this reference as though fully set forth in this ordinance. As of the effective date of this ordinance, the provisions of the fire code are controlling and enforceable within the limits of each jurisdiction.

SECTION 2. AMENDMENTS TO THE CALIFORNIA FIRE CODE.

The 2016 California Fire Code is amended by the changes, additions, and deletions set forth in this Section 2. Chapter and Section numbers used below are those of the 2016 California Fire Code.

Chapter 1. Scope and Administration.

Section 101.1 is amended to read:

101.1 Title. This code is the Fire Code of Contra Costa County, the Crockett-Carquinez Fire Protection District, and the Contra Costa County Fire Protection District, and is hereinafter referred to as “this code.”

Section 102.1 is amended to add item 5, to read:

5. Where not otherwise limited by law, the provisions of this code shall apply to vehicles, ships, and boats that are permanently affixed to a specific location within the boundaries of this jurisdiction.

Section 105.6 is amended to read:

105.6 Required operational permits. The fire code official is authorized to issue operational permits for the operations set forth in Chapter 1, Sections 105.6.1 through 105.6.60.

Section 105.6.5 is amended to read:

105.6.5 Carnivals, Fairs, Festivals and Exhibitions. A permit is required to operate a carnival, fair, festival, or exhibition.

Section 105.6.31 is amended to read:

105.6.31 Motor Fuel Dispensing Facilities. An operational permit is required for the operation of automotive, marine, and fleet motor fuel dispensing facilities, as well as for sites that allow mobile fueling from a service provider to the general public.

Section 105.6 is amended by adding subsections 105.6.50 through 105.6.60, to read:

105.6.50 Asbestos removal. A permit is required to conduct asbestos-removal operations regulated by Section 3318.

105.6.51 Automobile Wrecking or Dismantling Yard. An operation permit is required for all automobile wrecking yards, automobile dismantling operations, and similar operations.

105.6.52 Battery systems. A permit is required to operate stationary lead-acid battery systems having a liquid capacity of more than 50 gallons (189 L) pursuant to Section 608.

105.6.53 Christmas tree sales. A permit is required to use a property for the purpose of selling cut Christmas trees.

105.6.54 Emergency Responder Radio Coverage. A permit is required for facilities with Emergency Responder Radio Coverage Systems.

105.6.55 Firework aerial display. A permit is required to conduct a firework display regulated by California Code of Regulations, Title 19 and Chapter 56 of this code.

105.6.56 Model rockets. A permit is required to sell model rocket motors or launch model rockets (in excess of 3 launches per event) pursuant to California Code of Regulations, Title 19, Division 1, Article 17. Permits issued in accordance with this section are for the site, and are effective as long as site conditions have not changed.

105.6.57 Temporary water supply. A permit is required to use a temporary water supply for construction of residential projects or subdivisions pursuant to Section 3312.1.

105.6.58 Tire storage. A permit is required to store more than 1,000 cubic feet (28.3m³) of tires inside buildings pursuant to Chapter 34.

105.6.59 Oil Extraction Process. A permit is required to operate a process that uses a volatile solvent or Liquid Carbon Dioxide to extract oil from organic material.

105.6.60 Indoor Growing Operation. A permit is required to operate an indoor growing operation.

Exception: Agricultural Greenhouses in an agricultural zone.

Section 105.7 is amended to read:

105.7 Required construction permits. The fire code official is authorized to issue construction permits for the operations set forth in Chapter 1, Sections 105.7.1 through 105.7.21.

Section 105.7 is amended by adding Sections 105.7.17 through 105.7.22, to read:

105.7.17 Access for fire apparatus. Plans shall be submitted and a permit is required to install, improve, modify, or remove public or private roadways, driveways, and bridges for which Fire District access is required by the Fire Code. A permit is required to install a gate across a fire apparatus access road pursuant to Section 503.

105.7.18 Construction, alteration, or renovation of a building for which a building permit is required. Plans shall be submitted to the fire code official for all land developments or for the construction, alteration, or renovation of a building within the jurisdiction where a building permit is required.

Exception: Non-sprinklered Group R-3 Occupancies where work does not involve a substantial addition or expansion.

105.7.19 Medical gas systems. A construction permit is required for the installation of or modification to a medical gas system pursuant to Section 5306.

105.7.20 Refrigeration equipment. A permit is required to install a mechanical refrigeration unit or system regulated by Chapter 6 and/or the California Mechanical Code.

105.7.21 Land Development, Subdivisions. Plans shall be submitted to the fire code official for all land developments or improvements proposed within the jurisdiction that involve the subdivision of land.

105.7.22 Water supply for fire protection. Plans shall be submitted to the fire code official for the purpose of determining whether adequate water supplies, fire hydrants, and associated systems are provided for all facilities, buildings, or portions of buildings either constructed or moved into the District pursuant to Section 507.

Section 105.8 is added, to read:

105.8 Responsibility of permittee. Construction permits shall be presumed by the Fire District to incorporate all of the work that the applicant or the applicant's agent, employees, or contractors shall carry out. Work performed shall be in accordance with the approved plans and with all requirements of this code and any other laws or regulations applicable thereto. No Fire District approval shall relieve or exonerate any person from the responsibility of complying with the provisions of this code nor shall any vested rights be created for any work performed in violation of this code.

Section 108.1 is amended to read:

108.1 Board of Appeals established. In order to hear and decide appeals of orders, decisions, or determinations made by the fire code official relative to the application and interpretation of this code, there is hereby created a board of appeals. The board of appeals is comprised of the Board of Directors.

Section 108.3 is deleted.

Section 109.4 is amended to read:

109.4 Violation penalties. Every person who violates any provision of this fire code is guilty of an infraction or misdemeanor in accordance with Health and Safety Code Section 13871 and Government Code Section 53069.4. The imposition of one penalty for any violation shall not excuse the violation or

permit it to continue; and all such persons shall be required to correct or remedy such violations or defects within a reasonable time; and when not otherwise specified, each ten (10) days that prohibited conditions are maintained shall constitute a separate offense. The application of the aforesaid penalty shall not be held to prevent the enforced removal of prohibited conditions.

Section 111.4 is amended to read:

111.4 Failure to comply. Any person who continues any work after having been served with a stop work order is subject to citation, except any work that a person is directed by the fire code official to perform to remove a violation or unsafe condition.

Chapter 2. Definitions.

Section 202 is amended by adding the following definitions to that section:

Administrator. Fire Chief.

All-weather driving surface. A roadway with a minimum surface finish of one layer of asphalt or concrete that is designed to carry the imposed weight loads of fire apparatus.

Automobile Dismantling. The operation of dismantling or removing parts from salvaged vehicles including engines or engine parts.

Automobile Wrecking Yard. An area that stores or dismantles salvaged vehicles.

Board of Directors. The Contra Costa County Board of Supervisors as the governing body of the Crockett-Carquinez Fire Protection District and the Contra Costa County Fire Protection District.

Board of Fire Commissioners. An advisory commission appointed by the Board of Directors to act as set forth in this ordinance and by resolutions of the Board of Directors.

Cost of Abatement. Includes all expenses incurred by the jurisdiction in its work of abatement and administrative costs pursuant to Section 319.5 of this code.

Defensible Space. The area within the perimeter of a parcel providing the key point of defense from an approaching wildland or escaping structure fire.

Driveway. A private roadway that provides access to no more than two (2) single-family dwellings.

Fire Code Official. In the Contra Costa County Fire Protection District, the Fire Code Official is the Fire Marshal. In the Crockett-Carquinez Fire Protection District, the Fire Code Official is the Fire Chief.

Firebreak. A continuous strip of land upon and from which all rubbish, weeds, grass, or other growth that could be expected to burn has been abated or otherwise removed in order to prevent extension of fire from one area to another.

Firetrail. A graded firebreak of sufficient width, surface, and design to provide access for personnel and equipment to suppress and to assist in preventing a surface extension of fires.

Nuisance Fire Alarm. The activation of any fire protection or alarm system which results in the response of the Fire District and is caused by malfunction, improper maintenance, negligence, or misuse of the system by an owner, occupant, employee, or agent, or any other activation not caused by excessive heat, smoke, fire, or similar activating event.

Person. Includes individuals, firms, partnerships, and corporations.

Priority Hazard Zone. An area where the threat from wildfire is severe due to proximity to open space, topography, degree of space, density of homes and/or amount of vegetation (native and ornamental), and/or other conditions favorable to fast moving fires.

Reduced Fuel Zone. The area that extends from thirty (30) feet to one hundred (100) feet away from the structure, or to the property line, whichever is closer to the structure.

Response time. The elapsed time from receipt of call to the arrival of the first unit on scene.

Rubbish. Waste matter, litter, trash, refuse, debris, and dirt on streets or private property in the jurisdiction which is, or when dry may become, a fire hazard.

Rural area. An area generally designated for agricultural or open space uses with parcels more than 10 acres (4.046873ha) in size.

Rural residential area. An area generally designated for single family residential use with parcels between three (1.2140619ha) and 10 (4.046873ha) acres in size.

Running time. The calculated time difference between leaving the first-due station and arriving on the emergency scene.

Sprinkler Alarm and Supervisory System (SASS). A Dedicated Function Fire Alarm System located at the protected premise installed specifically to monitor sprinkler water-flow alarm, valve supervisory, and general trouble conditions where a Building Fire Alarm is not required.

Streets. Includes alleys, parkways, driveways, sidewalks, and areas between sidewalks and curbs, highways, public right of ways, private road, trails, easements, and fire trails.

Substantial Addition or Expansion. Addition, expansion, remodel, or renovation of any structure where the addition of new fire area exceeds fifty percent of the existing fire area. For the purposes of this definition, areas of a building in which construction elements including walls and roof assemblies were demolished and rebuilt are considered new fire area.

Temporary fire department access road for construction. An approved temporary roadway for emergency vehicle use during construction of residential subdivision projects.

Temporary fire department access road for construction of one (1) residential (R3) unit. A temporary roadway for emergency vehicle use during construction of an individual residential (R3) structure where a fire department access road is required as part of the project.

Temporary water supply. Water stored for firefighting purposes in an approved aboveground tank during combustible construction.

Tree litter. Any limbs, bark, branches, and/or leaves in contact with other vegetation or left to gather on the ground.

Weeds. All weeds growing upon streets or private property in the jurisdiction, including any of the following:

1. Weeds that bear seeds of a fluffy nature or are subject to flight.
2. Sagebrush, chaparral (including Chamise, Coyote Brush/Greasewood, Brooms, and Buckwheat), and any other brush or weeds that attain such large growth as to become, when dry, a fire menace to adjacent improved property.
3. Weeds that are otherwise noxious or dangerous.
4. Poison oak and poison sumac when the conditions of growth constitute a menace to public health.
5. Dry grass, brush, tree litter, litter, or other flammable materials that endanger the public safety by creating a fire hazard.

Chapter 3. General Precautions Against Fire.

Section 304.1.2 is amended to read:

304.1.2 Vegetation. Hazards created by the growth of weeds, grass, vines, trees, or other growth capable of being ignited and endangering property shall be mitigated in accordance with Section 320.

Section 304.1.4 is added, to read:

304.1.4 Clothes Dryers. Clothes dryers shall be frequently cleaned to maintain the lint trap, mechanical and heating components, vent duct, and associated equipment free from accumulations of lint and combustible materials.

Section 308.1.4, Exception 1 is amended to read:

Exception 1. Residential Occupancies.

Section 320 is added to Chapter 3, to read:

SECTION 320 Exterior Fire Hazard Control.

320.1 General.

320.1.1 Jurisdictional Authority. The Board of Directors, as the supervising, legislative, and executive authority of the jurisdiction, hereby delegates to the Board of Fire Commissioners of the jurisdiction all its powers, duties, and rights to act pursuant to Part 5 (commencing with Section 14875), Division 12, of the Health and Safety Code, to clear or order the clearing of rubbish, litter, or other flammable material where such flammable material endangers the public the safety by creating a fire hazard. Fire hazard abatement will be conducted in accordance with the provisions of said Part 5 and this ordinance. In the application of the provisions of said Part 5 to fire hazard abatement proceedings under this ordinance and the Fire Protection District Law of 1987, the terms "Board of Directors" or "Board," when used in Part 5, means the Board of Fire Commissioners of this jurisdiction under this section; and the officers designated in Health and Safety Code Section 14890 are the employees of the jurisdiction.

320.1.2 Retention of Jurisdictional Authority. If no Board of Fire Commissioners has been appointed for the jurisdiction, then the Board of Directors retains its powers and rights to act pursuant to said Part 5.

320.1.3 Contract for Services. The Board of Directors reserves and retains the power to award a contract for fire hazard abatement work when the employees of the jurisdiction are not used to perform the abatement work.

320.2 Definitions. The following terms are defined in Chapter 2:

Cost of Abatement
Defensible Space
Person
Priority Hazard Zone
Reduced Fuel Zone
Rubbish
Streets
Weeds

320.3 Weeds and Rubbish a Public Nuisance. The Board hereby declares that all weeds growing upon private property or streets in this jurisdiction and all rubbish on private property or streets in this jurisdiction are public nuisances. Such weed nuisance is seasonal and recurrent.

320.4 Abatement of Hazard.

320.4.1 Prohibition. No person who has any ownership or possessory interest in or control of parcel of land shall allow to exist thereon any hazardous rubbish, weeds, trees, or other vegetation that constitutes a fire hazard. Destruction by burning within this jurisdiction is unlawful unless the written permission of the fire chief is first obtained, and all other applicable permits are obtained from appropriate governing agencies or jurisdictions.

320.4.2 Specific Requirements. The District shall develop minimum abatement standards for land in residential, rural and/or rural residential, business, industrial areas, or land which is unused or vacant. Such standards may be modified periodically as circumstances dictate.

320.4.2.1 Clearance of Weeds from Streets. The Fire Code Official is authorized to cause areas within 10 feet (3048 mm) on each side of portions of streets which are improved, designed, or ordinarily used for vehicular traffic to be cleared of flammable vegetation and other combustible growth. The Fire Code Official is authorized to enter upon private property to do so, to the extent allowed by law.

320.5 Abatement Procedures.

320.5.1 Abatement Order. The fire code official may order the abatement of the weeds and rubbish described in Sections 304.1.2 and this Section 320. On making the order, the fire code official will mail a copy of a notice to the owners of the affected property as their names and addresses appear upon the last county equalized assessment roll, or as their names and addresses are known to the fire code official. As an alternative to mailing, the notice may be posted upon the affected property and published in the jurisdiction, not less than 15 days prior to the date of the abatement hearing. Copies of the notice will be

headed with the words "Notice to Abate Weeds and Rubbish" in letters at least one inch high. The notice will be in substantially the following form:

NOTICE TO ABATE WEEDS AND RUBBISH

You are hereby notified that weeds and rubbish constitute a fire hazard on the following described property owned by you:

(Describe property by common street designation, by metes and bounds, Assessor's code area and parcel number, or by reference to attached map).

You must remove the weeds and rubbish within fifteen (15) days from the date of this notice. If you fail to do so, the (jurisdiction) Fire Protection District will remove it, and the cost of the abatement, including administrative costs, will be collected as property taxes and will be a lien on your property until paid.

You are further notified that the Board of Supervisors has declared that such weeds and rubbish constitute a public nuisance and that such weeds also constitute a seasonal and recurring nuisance.

You may appear before the Board of Fire Commissioners of this jurisdiction on (time and date) at (place-room, street, address, and city) to show cause why this order should not be enforced.

(Signed): (Name of fire code official or name of jurisdiction)

320.5.2 Hearing Date. A date for hearing on the notice will be sent at least 15 days after the date of the notice. The date of the notice is the date on which the notice is placed in the United States mail or the date on which it is posted on the property. At the hearing, the property owner or his agent may appear to show cause why the order should not be enforced. For good cause shown, the Board of Fire Commissioners may extend the time for compliance with the order or may rescind the order.

320.5.3 Contract Award. If the owner fails to comply with the order, the fire code official may have the weeds and rubbish abated either by employees of this jurisdiction or by contract. If a contract is awarded, it will be by public bid, awarded to the lowest responsible bidder. A contract may include work on more than one parcel. Concerning any contract previously awarded as provided in this subsection and that has been fully extended as provided in that contract, it may thereafter be extended on its same terms and conditions for a further period (not to exceed one year) by agreement of the Board of Supervisors and the involved contractor.

320.5.4 Abatement Report of Costs. The fire code official or his or her designee abating the nuisance will keep an account of the cost of abatement in front of or on each separate parcel of land and will render an itemized report in writing to the Board of Fire Commissioners showing the cost of removing the weeds and rubbish on or in front of each separate lot or parcel of land, or both. Before the report is submitted to the Board of Fire Commissioners, a copy of it will be posted for at least three days on or near the chamber door of the Board with a notice of the time and when the report will be submitted to the Board for confirmation. At the time fixed for receiving and considering the report, the Board of Fire Commissioners will hear it and any objections of any of the property owners liable to be assessed for the work of abatement. Thereupon, the Board of Fire Commissioners may make such modifications in the report as it deems necessary, after which the report will be confirmed. The amount of the cost, including administrative costs, of abating the nuisance in front of or upon the various parcels of the land mentioned in the report as confirmed will constitute special assessment against the respective parcels of land, and are a lien on the property for the

amount of the respective assessments. Such lien attaches upon recordation, in the office of the County Recorder, of a certified copy of the Resolution of Confirmation.

320.5.5 Cost Assessments. Upon confirmation of the report of cost by the Board of Fire Commissioners and the recordation of the Resolution of Confirmation, a copy of the report of cost will be sent to the County Auditor, who will enter the amount of the assessments against the parcels. Thereafter the amount of the assessments will be collected at the same time and in the same way as County taxes are collected. The owners are subject to the same penalties and the same procedure and sale in case of delinquency as provided for ordinary county taxes. All laws applicable to the levy, collection, and enforcement of county taxes are applicable to these assessment taxes.

320.6 Alternate Mitigation. In lieu of ordering abatement as provided in Section 320.5.1, the fire code official of this jurisdiction may order the preparation of firebreaks/fuelbreaks around parcels of property where combustible weeds, crops, or brush are present. In determining the proper width for firebreaks/fuelbreaks, the fire code official will consider the height of the growth, weather condition, topography, and the accessibility to the property for fire protection equipment. The procedure set forth in Section 320.5.1 for the abatement of weeds and rubbish shall apply to the preparation of firebreaks/fuelbreaks.

320.7 Subsurface Fires.

320.7.1 Peat Fire. It is the duty of each person, firm, corporation, or association not to permit a peat fire or a fire involving combustible vegetable matters under the surface of the natural ground to remain upon the property. It is hereby declared that it is the duty of any person as herein defined to take all necessary precautions to extinguish any subsurface fire involving peat or vegetable material at the owner's own cost and expense.

320.7.2 Fire Suppression Costs. If there exists upon the lands or property of any person as herein defined a subsurface fire involving the burning or combustion of peat, vegetable matter, or vegetation, and the owner or occupant thereof has not taken reasonable precautions within a reasonable time to extinguish or minimize such fire or combustion, this jurisdiction may, in addition to its regular duties to extinguish or minimize such fire or combustion, go upon the lands of any person as herein defined and extinguish such fire or combustion. Any costs incurred by the Fire District in fighting the fire and for the cost of proving rescue or emergency medical services shall be a charge against the property owner. The charge shall constitute a debt of the property owner and is collectable by the jurisdiction incurring those costs in the same manner as in the case of an obligation under a contract, express or implied. (See Health and Safety Code, §13009.)

Section 321 is added to Chapter 3, to read:

321 Automobile Wrecking Yards.

321.1 General. The operation of automobile wrecking yards shall be in accordance with this section.

321.2 Definitions. The following terms are defined in Chapter 2:

Automobile Dismantling
Automobile Wrecking Yard

321.3 Requirements.

321.3.1 Permits. An operational fire code permit is required as in Section 105.6.51.

321.3.2 Fire Apparatus Access Roads. Fire apparatus access roads shall be constructed throughout the site in accordance with this code and shall be maintained clear of all vehicles and stored items.

321.3.3 Welding and cutting. Welding and cutting operations shall be conducted in an approved location, clear of all flammable liquids and combustible materials, including weeds, tires, and all other debris.

321.3.4 Housekeeping. Combustible rubbish accumulated on site shall be collected and stored in approved containers, rooms, or vaults of noncombustible materials. Combustible vegetation, cut or uncut, shall be removed when determined by the fire code official to be a fire hazard.

321.3.5 Fire Protection. Offices, storage buildings, and vehicles used for site operations shall each be provided with at least one portable fire extinguisher with not less than a 4-A: 40-B-C rating. When required by the fire code official, additional fire extinguishers shall be provided.

321.3.6 Tire storage. Tires shall be stored in racks or in a manner as approved by the fire code official.

321.3.6.1 Distance from Water Supply. Tire storage shall be located on-site and no further than 500 feet from a fire hydrant or an approved water supply as determined by the fire code official.

321.3.7 Storage Piles. Storage piles shall be located a minimum of 20 feet from property lines and shall have an unobstructed access road on all sides of not less than 20 feet.

321.3.8 Burning operations. The burning of salvaged vehicles and salvaged or waste materials is prohibited.

321.3.9 Motor vehicle fluids. Motor vehicle fluid shall be drained from salvaged vehicles when such liquids are leaking onto the ground and prior to dismantling or removing engine/motor parts.

321.3.9.1 Mitigation of leaking fluids. Precautions shall be taken to prevent fluids from salvaged vehicles from leaking onto the ground. Supplies or equipment capable of mitigating leaks from fuel tanks, crankcases, brake systems, and transmissions shall be kept available on site. Single-use plugs, diking, and absorbent materials shall be disposed of as hazardous waste and removed from the site in a manner in accordance with federal, state, and local requirements.

321.3.10 Fuel tanks. Fuel tanks of salvaged vehicles shall be emptied of all flammable (gasoline, diesel) fuels in an approved manner and stored in approved tanks.

321.3.10.1 Repair of vehicle fuel tanks. The repair of fuel tanks, including cutting, welding, or drilling of any kind, is prohibited.

321.3.11 Lead acid batteries. Lead acid batteries shall be removed from all salvaged vehicles and stored in an approved manner in a location approved by the fire code official.

Chapter 4. Emergency Planning and Preparedness.

Section 401.5.1 is added, to read:

401.5.1 Nuisance Fire Alarm Fee. A fee may be charged for false and/or nuisance fire alarms in accordance with a fee schedule adopted by the Board of Directors.

Section 403.12.1 is amended to read:

403.12.1 Standby Personnel. Where, in the opinion of the fire code official or Fire Chief, it is essential for public safety in a place of assembly, or any other place where people congregate, because of the number of persons, or the nature of the performance, exhibition, display, contest, or activity, the owner, agent, or lessee shall provide standby personnel as required and approved by the fire code official or Fire Chief. If the activity requires fire watch, fire watch shall be provided in accordance with Sections 403.12.1.1 and 403.12.1.2. Standby personnel needed for EMS standby shall be provided in accordance with Contra Costa County EMS Protocols.

Chapter 5. Fire Service Features.

Section 503.1.4 is added, to read:

503.1.4 Access to Open Spaces. When existing access to open land or space, or to fire trail systems maintained for public or private use, is obstructed by new development of any kind, the developer shall provide an alternate means of access into the area that is sufficient to allow access for fire personnel and apparatus. The alternate means of access must be approved by the fire code official.

Section 503.2.1 is amended by adding the following exception:

Exception: A minimum 16 foot wide driveway is acceptable for access to one or two single-family dwellings.

Section 505.3 is added, to read:

505.3 Street names and addressing. Street names and addressing shall be submitted for review and approval to the fire code official, whose approval will not be unreasonably withheld. The purpose of the review is to verify that new street names and addressing will not duplicate existing street names and addressing.

Section 507.2.3 is added, to read:

507.2.3 Suburban and rural water supply storage. Swimming pools and ponds shall not be considered water storage for the purposes of Section 507.1.

Chapter 6. Building Services and Systems.

Section 603.6.6 is added, to read:

603.6.6 Sparks from chimneys. A chimney that is used with either a fireplace or heating appliances in which solid or liquid fuel is used shall be maintained with spark arresters that are required for incinerators pursuant to the 2016 California Mechanical Code.

Chapter 8. Interior Finish, Decorative Materials and Furnishings.

Section 806.1.4 is added, to read:

806.1.4 Flame retardants. Cut trees shall be treated by a California State Fire Marshal-licensed fire retardant applicator. Trees shall be properly treated with an approved flame retardant.

Section 806.1.5 is added, to read:

806.1.5 Tags. Trees shall bear a tag stating date of placement in the public building, type of flame-retardant treatment used, name of the person who applied the flame retardant, the name of the person affixing the tag, a permit expiration date, and the name of the designated individual making daily tests.

Section 806.1.6 is added, to read:

806.1.6 Daily tests. Trees shall be tested daily by a designated individual. The test shall include a check for dryness in accordance with Section 806.1.3 and for adequate watering.

Chapter 9. Fire Protection Systems.

Section 901.6.2 is amended to read:

901.6.2 Records. Records of all system inspections, tests, and maintenance required by the reference standards shall be maintained in paper form and/or by a third party electronic record keeping service as chosen by the fire district.

Section 902 is amended to add:

Substantial Addition or Expansion

Section 903.2.1.1 is amended to read:

903.2.1.1 Group A-1. An automatic sprinkler system shall be provided for fire areas containing Group A-1 occupancies and intervening floors of the building where one of the following conditions exists:

1. The fire area exceeds 5,000 square feet.
2. The fire area has an occupant load of 300 or more.
3. The fire area is located on a floor other than a level of exit discharge serving such occupancies.
4. The fire area contains a multi-theater complex.

Section 903.2.1.3 is amended to read:

903.2.1.3 Group A-3. An automatic sprinkler system shall be provided for fire areas containing Group A-3 occupancies and intervening floors of the building where one of the following conditions exists:

1. The fire area exceeds 5,000 square feet.
2. The fire area has an occupant load of 300 or more.
3. The fire area is located on a floor other than a level of exit discharge serving such occupancies.
4. The structure exceeds 10,000 square feet, contains more than one fire area containing exhibition and display rooms, and is separated into two or more buildings by fire walls of less than four hour fire resistance rating without openings.

Section 903.2.1.4 is amended to read:

903.2.1.4 Group A-4. An automatic sprinkler system shall be provided for fire areas containing Group A-4 occupancies and intervening floors of the building where one of the following conditions exists:

1. The fire area exceeds 5,000 square feet
2. The fire area has an occupant load of 300 or more.
3. The fire area is located on a floor other than a level of exit discharge serving such occupancies.

Section 903.2.1.8 is amended to read:

903.2.1.8 Group B. An automatic sprinkler system shall be provided for Group B occupancies where the fire area exceeds 5,000 square feet.

Section 903.2.3 is amended to read:

903.2.3 Group E. An automatic sprinkler system shall be provided for new Group E occupancies as follows:

1. Throughout all Group E fire areas greater than 2,000 square feet in area.
Exception: An automatic sprinkler system is not required in any Group E Day Care Facility less than 5,000 square feet
2. Throughout every portion of educational buildings below the lowest level of exit discharge serving that portion of the building.
Exception: An automatic sprinkler system is not required in any area below the lowest level of exit discharge serving that area where every classroom throughout the building has at least one exterior exit door at ground level.
3. In rooms or areas with special hazards such as laboratories, vocational shops, and other such areas where hazardous materials in quantities not exceeding the maximum allowable quantity are used or stored.
4. Throughout any Group E structure greater than 4,000 square feet in area, which contains more than one fire area, and which is separated into two or more buildings by fire walls of less than four hour fire resistance rating without openings.
5. For public school state-funded construction projects see Section 903.2.19.

Section 903.2.4 is amended in its entirety, to read:

903.2.4 Group F

903.2.4.1 Group F-1. An automatic sprinkler system shall be provided throughout all buildings containing a Group F-1 occupancy where one of the following conditions exists:

1. A Group F-1 fire area exceeds 5,000 square feet.
2. A Group F-1 fire area is located more than three stories above grade plane.
3. The combined area of all Group F-1 fire areas on all floors, including any mezzanines, exceeds 10,000 square feet.
4. A Group F-1 occupancy used for the manufacture of upholstered furniture or mattresses exceeding 2,500 square feet (230 m²).

903.2.4.1.1 Woodworking operations. An automatic sprinkler system shall be provided throughout all Group F-1 occupancy fire areas that contain woodworking operations in excess of 2,500 square feet in area (232 m²) that generate finely divided combustible waste or use finely divided combustible materials. A fire

wall of less than 4-hour fire-resistance rating without openings, or any fire wall with openings, shall not be used to establish separate fire areas.

903.2.4.2 Group F-2. An automatic sprinkler system shall be provided throughout all buildings containing a Group F-2 occupancy greater than 5,000 square feet.

Section 903.2.7 is amended to read:

903.2.7 Group M. An automatic sprinkler system shall be provided throughout buildings containing a Group M occupancy where one of the following conditions exists:

1. A Group M fire area exceeds 5,000 square feet.
2. A Group M fire area is located more than three stories above grade plane.
3. The combined area of all Group M fire areas on all floors, including any mezzanines, exceeds 10,000 square feet.
4. A Group M occupancy used for the display and sale of upholstered furniture or mattresses exceeds 5,000 square feet (464 m²).
5. The structure exceeds 10,000 square feet, contains more than one fire area containing a Group M occupancy, and is separated into two or more buildings by fire walls of less than 4-hour fire-resistance rating without openings.

Section 903.2.8 is amended to read:

903.2.8 Group R. An automatic sprinkler system installed in accordance with Section 903.3 shall be provided throughout all Group R occupancies, including manufactured and mobile homes, including those located in mobile home parks.

Section 903.2.8.1.1 is added, to read:

903.2.8.1.1 Group R-3 Substantial Addition or Expansion. An automatic sprinkler system shall be provided throughout all existing Group R-3 dwellings where a substantial addition or expansion occurs and the new total fire area of the structure exceeds 3,600 square feet.

Exception: If a sprinkler system is required by the local building department regardless of the size of the addition or expansion, a sprinkler system shall be installed in accordance with the appropriate standard.

Section 903.2.9 is amended to read:

903.2.9 Group S-1. An automatic sprinkler system shall be provided throughout all buildings containing a Group S-1 occupancy where one of the following conditions exists:

1. A Group S-1 fire area exceeds 5,000 square feet.
2. A Group S-1 fire area is located more than three stories above grade plane.
3. The combined area of all Group S-1 fire areas on all floors, including any mezzanines, exceeds 10,000 square feet.
4. A Group S-1 occupancy used for the storage of upholstered furniture or mattresses exceeding 2,500 square feet (230 m²).

Section 903.2.9.1 is amended to read:

903.2.9.1 Repair garages. An automatic sprinkler system shall be provided throughout all buildings used as repair garages in accordance with Section 406.8 of the California Building Code, as shown:

1. Buildings having two or more stories above grade plane, including basements, with a fire area containing a repair garage exceeding 5,000 square feet.
2. Buildings not more than one story above grade plane, with a fire area containing a repair garage exceeding 5,000 square feet.
3. Buildings with repair garages servicing vehicles parked in basements.
4. A Group S-1 fire area used for the repair of commercial motor vehicles where the fire area exceeds 5,000 square feet (464 m²).

Section 903.2.10 is amended in its entirety, to read:

903.2.10 Group S-2.

903.2.10.1 Group S-2 enclosed parking garages. An automatic sprinkler system shall be provided throughout buildings classified as enclosed parking garages in accordance with Section 406.6 of the California Building Code where either of the following conditions exists:

1. Where the fire area of the enclosed parking garage exceeds 5,000 square feet.
2. Where the enclosed parking garage is located beneath other occupancy groups.

903.2.10.2 Group S-2 Low Hazard Storage. An automatic sprinkler system shall be provided throughout all buildings containing a Group S-2 occupancy exceeding 5,000 square feet.

Section 903.3.1.1.3 is added, to read:

903.3.1.1.3 Undeclared Use. In buildings of undeclared use with floor to structure height greater than 14 feet (4256 mm), the fire sprinkler system shall be designed to conform to Extra Hazard Group I design density. In buildings of undeclared use with floor to structure height less than 14 feet (4256 mm), the fire sprinkler system shall be designed to conform to Ordinary Group II design density. Where a subsequent occupancy requires a system with greater capability, it shall be the responsibility of the owner and/or the occupant to upgrade the system.

Section 903.3.1.3 is amended to read:

903.3.1.3 Sprinkler Systems for One and Two family dwellings. Automatic sprinkler systems for one and two- family dwellings shall be permitted to be installed in accordance with sections 903.3.1.3.1 through 903.3.1.3.3.

Sections 903.3.1.3.1, 903.3.1.3.2, and 903.3.1.3.3 are added, to read

903.3.1.3.1 NFPA 13D Sprinkler Systems. Automatic sprinkler systems installed in one and two family dwellings, Group R-3 buildings, and townhouses shall be permitted to be installed throughout in accordance with NFPA 13D as amended in Chapter 80.

903.3.1.3.2 California Residential Code Section R313. Automatic sprinkler systems shall be permitted to be installed in accordance with California Residential Code section R313.

903.3.1.3.3 Pipe limitations. Where CPVC pipe is installed above the insulation or is otherwise located in an unconditioned space, such as in an attic space, or a garage without conditioned living space above,

CPVC pipe shall be adequately insulated to a minimum R-19 value, or equivalent, or pipe shall be limited to Type K or L copper, or ferrous piping.

Section 903.3.5.3 is added, to read:

903.3.5.3 Non-permissible water supply storage. Swimming pools and ponds shall not be considered water storage for the purposes of Section 903.3.5.

Section 903.3.9 is amended to read:

903.3.9. Floor control valves. Individual floor control valves and waterflow detection assemblies shall be provided for each floor in multi-floor buildings at an approved location.

Exception: Group R-3 and R-3.1 Occupancies.

Section 903.4.2 is amended to read:

903.4.2 Alarms. One approved audible and visual device shall be connected to every automatic sprinkler system at an approved location. Such sprinkler water-flow alarm devices shall be activated by water flow equivalent to the flow of a single sprinkler of the smallest orifice size installed in the system. Audible and visual alarm devices shall be provided on the exterior of the building in an approved location. Where a fire alarm system is installed, actuation of the automatic sprinkler system shall actuate the building fire alarm system.

Sections 903.6.1 and 903.6.2 are added, to read:

903.6.1 Substantial Addition or Expansion. An automatic sprinkler system shall be provided throughout all existing buildings where a substantial addition or expansion occurs and the total fire area of the structure exceeds 5,000 square feet. Group R-3 substantial additions or expansions shall comply with Section 903.2.8.2.1

903.6.2 Change of occupancy classification. Any existing building that undergoes a change of occupancy classification into a higher hazard category shall comply with the requirements of Section 903.2. Relative hazard categories of occupancy groups shall be established based upon the Heights and Areas Hazard Categories of Table 1012.4 of the current edition of the International Existing Building Code, as published by the International Code Council. The requirements of Section 903.2 shall not be required when a change of occupancy classification is made to an equal or lesser hazard category. Group L occupancies shall be considered a relative hazard of 1 (highest hazard). Group R-3 occupancies shall be considered a relative hazard of 4 (lowest hazard).

Section 907.4.4 is added, to read:

907.4.4 Monitoring of other fire systems. In buildings equipped with a fire alarm system or sprinkler alarm and supervisory service (SASS) system, where other fire suppression or extinguishing systems are installed in the building (including but not limited to commercial kitchen suppression systems, pre-action fire suppression systems, dry chemical systems, and clean agent systems), these other suppression systems shall be monitored by the SASS dedicated function fire alarm system and transmitted as a specific signal to the Central Station. The system shall be monitored in compliance with Section 907.6.5.

Section 907.5.2.3.1 is amended to read:

ORDINANCE NO. 2016-23

907.5.2.3.1 Public and common areas. Visible alarm notification appliances shall be provided in public use areas and common use areas, including but not limited to:

1. Sanitary facilities including restrooms, bathrooms, shower rooms, and locker rooms.
2. Corridors, hallways, and aisles with shelving and/or fixtures obstructing the required light intensity for that area.
3. Music practice rooms.
4. Band rooms.
5. Gymnasiums.
6. Multipurpose rooms.
7. Occupational shops.
8. Occupied rooms where ambient noise impairs hearing of the fire alarm.
9. Lobbies.
10. Meeting/Conference rooms.
11. Classrooms.
12. Medical exam rooms.
13. Open office areas.
14. Sales floor areas.
15. Break or lunch rooms
16. Copy or work rooms.
17. Computer server rooms exceeding 200 sq. ft.
18. File or Storage rooms exceeding 200 sq. ft.

Section 907.6.6 is amended to read:

907.6.6 Monitoring of fire alarm systems. A fire alarm system required by this chapter, or by the California Building Code, shall be monitored by a UL-listed Central Station service in accordance with NFPA 72 and this code.

Exception: Monitoring by a UL-listed central station is not required for:

1. Single and multiple station smoke alarms required by Section 907.2.11.
2. Group I-3 occupancies shall be monitored in accordance with Section 907.2.6.3.4.
3. Residential Day Care Facilities (occupancy load of 14 or less).
4. One and two family dwellings.
5. Residential Care Facilities licensed by the state with an occupant load of 6 or less.
6. Occupancies with a local fire alarm system that will give an audible and visible signal at a constantly attended location, as approved by the Fire Code Official.

Section 907.8.6 is added, to read:

907.8.6 Certification. New fire alarm systems shall be UL-Certified. A Certificate of Completion and other documentation as listed in NFPA 72 shall be provided for all new fire alarm system installations. It is the responsibility of the building owner or owner's representative to obtain and maintain a current and valid Certificate.

Section 907.8.6.1 is added, to read:

907.8.6.1 Posting of Certificate. The UL Certificate shall be posted in a durable transparent cover within 3 feet of the fire alarm control panel within 45 days of the final acceptance test/inspection.

Chapter 10. Means of Egress.

Section 1028.5.1 is added, to read:

1028.5.1 Exit discharge surface. Exterior exit pathway surfaces shall be suitable for pedestrian use in inclement weather, and shall terminate at a public way as defined in the California Building Code.

Chapter 33. Fire Safety During Construction and Demolition.

Section 3301.3 is added, to read:

3301.3 Permits. Permits shall be obtained for asbestos removal operations, temporary fire department access roads for construction, and temporary water supplies as set forth in sections 105.6 and 105.7.

Section 3318 is added, to read:

Section 3318 Asbestos removal.

3318.1 General. Operations involving removal of asbestos or asbestos-containing materials from buildings shall be in accordance with Section 3318.

Exception: Section 3318 does not apply to the removal of asbestos from:

1. Pumps, valves, gaskets and similar equipment.
2. Pipes, ducts, girders or beams that have a length less than 21 linear feet (6400 mm).
3. Wall or ceiling panels that have an area of less than 10 square feet (0.93 m²) or a dimension of less than 10 linear feet (3048 mm).
4. Floor tiles when their removal can be completed in less than four hours.
5. Group R-3 occupancies.

3318.2 Notification. The fire code official shall be notified 24 hours prior to the commencement and closure of asbestos-removal operations. The permit applicant shall notify the building official when asbestos abatement involves the removal of materials that were used as a feature of the building's fire resistance.

3318.3 Plastic Film. Plastic film that is installed on building elements shall be flame resistant as required for combustible decorative material, in accordance with Section 807.

3318.4 Signs. Approved signs shall be posted at the entrance, exit and exit-access door, decontamination areas, and waste disposal areas for asbestos-removal operations. The signs shall state that asbestos is being removed from the area, that asbestos is a suspected carcinogen, and that proper respiratory protection is required. Signs shall have a reflective surface. Lettering shall be a minimum of 2 inches (51 mm) high.

Chapter 50. Hazardous Materials – General Provisions.

Section 5001.5.3 is added, to read:

5001.5.3 Emergency response support information. Floor plans, material safety data sheets, Hazardous Materials Management Plans (HMMP), Hazardous Material Inventory Statements (HMIS), and other information must be stored at a readily accessible location, as determined by the fire code official. This

location may be in cabinets located outside of facilities or buildings. Information may be required to be maintained in a specific electronic media format to facilitate computer aided dispatching.

Section 5003.9.1.2 is added, to read:

5003.9.1.2 Documentation. Evidence of compliance with provisions of this chapter as well as with state and federal hazardous material regulations shall be maintained on site and available for inspection by fire department personnel.

Chapter 56. Explosives and Fireworks.

Section 5601.1.3 is amended to read:

5601.1.3 Fireworks. The possession, manufacture, storage, sale, handling, and use of fireworks are prohibited within the jurisdiction of the District.

Exceptions:

1. The use of fireworks for fireworks displays, pyrotechnics before a proximate audience, pyrotechnic special effects in motion pictures, television, theatrical, or group entertainment productions as allowed by Title 19, Division 1, Chapter 6 Fireworks reprinted in Section 5608 and the Health and Safety Code Division 11.
2. Snap Caps and Party Poppers classified by the State Fire Marshal as pyrotechnic devices.

Section 5601.2.2 is amended to read:

5601.9 Sale and retail display. No person shall construct a retail display or offer for sale any explosives, explosive materials, or fireworks within the jurisdiction.

Exception: Snap Caps and Party Poppers classified by the State Fire Marshal as pyrotechnic devices.

Section 5601.2.4 is amended as follows:

5601.2.4 Financial responsibility. Before a permit is issued pursuant to Section 5601.2, the applicant shall file with the jurisdiction a corporate surety bond in the principal sum of \$2,000,000 or a public liability insurance policy for the same amount, for the purpose of the payment of all damages to persons or property which arise from, or are caused by, the conduct of any act authorized by the permit upon which any judicial judgment results. The fire code official is authorized to specify a greater or lesser amount when, in his or her opinion, conditions at the location of use indicate a greater or lesser amount is required. Government entities shall be exempt from this bond requirement.

Exception: Fireworks in accordance with California Code of Regulations, Title 19, Division 1, Chapter 6. See Section 5608.

Section 5601.9 is added, to read:

5601.9 Prohibited and Limited Acts. The storage of explosive materials is prohibited in all zoning districts except districts zoned for industrial or agricultural uses. In districts where the storage of explosive materials is permitted, the quantities of explosives and distances shall be in accordance with California Fire Code Section 5601.8.

Chapter 57. Flammable and Combustible Liquids.

Section 5704.2.9.6.1 is amended to read:

5704.2.9.6.1 Locations where above-ground tanks are prohibited. The storage of Class I and II liquids in above-ground tanks outside of buildings is prohibited in all zoning districts except districts zoned for commercial, industrial, or agricultural uses.

Exception: Protected above-ground tanks for the purpose of emergency power generator installations in areas zoned commercial, industrial, agricultural, central business district, rural or rural residential, and for facilities on an individual basis consistent with the intent of this provision. Tank size shall not exceed 500 gallons (1892.706L) for Class I or II liquids, or 1,000 gallons (3785.412L) for Class III liquids.

Section 5706.2.4.4 is amended to read:

5706.2.4.4 Locations where above-ground tanks are prohibited. Storage of Class I and II liquids in above-ground tanks is prohibited in all zoning districts except district zoned for commercial, industrial, or agricultural use.

Chapter 58. Flammable Gases and Flammable Cryogenic Fluids.

Section 5806.2 is amended to read:

5806.2 Limitation. The storage of flammable cryogenic fluids in stationary containers outside of buildings is prohibited in any area which is zoned for other than industrial use.

Exception: Liquid hydrogen fuel systems in compliance with Section 5806.3 or 5806.4.

Chapter 61. Liquefied Petroleum Gases.

Section 6103.2.1.7 is amended to read:

6103.2.1.7 Use for food preparation. Individual portable L-P containers used, stored, or handled inside a building classified as a Group A, Group B, or Group M occupancy for the purposes of cooking, food display, or a similar use, shall be limited in size to one quart capacity and shall be of an approved type. The number of portable containers permitted will be at the discretion of the fire code official. LP-gas appliances used for food preparation shall be listed for such use in accordance with the California Mechanical Code and NFPA 58.

Section 6104.2 is amended to read:

6104.2 Maximum capacity within established limits. The storage of liquefied petroleum gas is prohibited in any central business district and in all zoning districts except districts zoned for commercial, industrial, rural, or agricultural uses. The aggregate capacity of any one installation used for the storage of liquefied petroleum gas shall not exceed a water capacity of 2,000 gallons (7570 L).

Chapter 80. Referenced Standards.

Chapter 80 is amended by adding the following referenced standards:

ORDINANCE NO. 2016-23

NFPA 3 (2015): Recommended Practice for Commissioning of Fire Protection and Life Safety Systems

NFPA 4 (2015): Standard for Integrated Fire Protection and Life Safety System Testing

NFPA 850 (2015): Recommended Practice for Fire Protection for Electric Generating Plants and High Voltage Direct Current Converter Stations

Chapter 80 is further amended by amending the NFPA 13D (2016) (Standard for the Installation of Sprinkler Systems in One- and Two-Family Dwellings and Manufactured Homes) standard as follows:

Section 7.7.1 is added, to read:

7.7.1 Where CPVC pipe is installed above the normal insulation in an unconditioned space, such as in an attic space, or a garage without conditioned living space above, CPVC pipe shall be adequately insulated to a minimum R-19 value, or equivalent, or pipe shall be limited to Type K or L copper, or ferrous piping.

Section 8.3.5.1.2 is amended to read:

8.3.5.1.2 Where fuel-fired equipment is below or on the same level as occupied areas of the dwelling unit, at least one quick-response intermediate temperature sprinkler shall be installed above the equipment or at the wall separating the space with the fuel-fired equipment from the occupied space. In unconditioned spaces, CPVC pipe shall be adequately insulated to a minimum R-19 value, or equivalent, or pipe shall be limited to Type K or L copper, or ferrous piping.

Appendix B. Fire-Flow Requirements for Buildings.

Section B105.2 is amended by amending the exception to read:

Exceptions:

1. Group B, S-2, and U occupancies having a floor area not exceeding 1,000 square feet, primarily constructed of noncombustible exterior walls with wood or steel roof framing, having a Class A roof assembly, with uses limited to the following or similar uses:
 - 1.1. California State Parks buildings of an accessory nature (restrooms).
 - 1.2. Safety roadside rest areas, (SRRA), public restrooms.
 - 1.3. Truck inspection facilities, (TIF), CHP office space and vehicle inspection bays.
 - 1.4. Sand/salt storage buildings, storage of sand and salt.
2. A reduction in required fire-flow of 50 percent, as approved by the fire code official, when the building is provided with an approved automatic sprinkler system and installed in accordance with Section 903.3.1.1. The resulting fire-flow shall be not less than 1,500 gallons per minute (5678L/min) for the prescribed duration as specified in Table B105.1.

Appendix C. Fire Hydrant Locations and Distribution.

Table C102.1 is amended as follows:

The title of Table C102.1 is amended to read:

ORDINANCE NO. 2016-23

TABLE C102.1ⁱ

The heading of the fourth column of Table C102.1 is amended to read:

MAXIMUM DISTANCE FROM ANY POINT ON STREET OR ROAD FRONTAGE TO A HYDRANT^{d,f,g,h}

Footnotes “h” and “i” are added to Table C102.1, to read:

- h. A fire hydrant shall be provided within 250 feet of a fire trail access point off a public or private street.
- i. For infill projects within existing single-family residential developments, Section 507.5.1 applies.

Appendix D. Fire Apparatus Access Roads.

Section D102.1 is amended to read:

D102.1 Access and loading. Facilities, buildings or portions of buildings hereafter constructed shall be accessible to fire department apparatus by way of an approved fire apparatus access road with an asphalt, concrete, or other approved all-weather driving surface capable of supporting the imposed load of fire apparatus weighing at least 74,000 pounds (33 566 kg) in accordance with CalTrans Design Standard HS-20-44.

Exception: Driveways serving one or two single-family dwellings may be constructed of an alternate surface material, providing the imposed weight load design minimums are met and the grade does not exceed 10 percent.

Section D103.1 is deleted.

Section D103.2 is amended to read:

D103.2 Grade. Fire department access roadways having a grade of between 16 percent and 20 percent shall be designed to have a finished surface of grooved concrete sufficient to hold a 44,000 pound (19 958 kg) traction load. The grooves in the concrete surface shall be ½ inch (13 mm) wide by ½ inch (13 mm) deep and 1 ½ inch (38 mm) on center and set at a 30 to 45 degree angle across the width of the roadway surface. No grade shall exceed 20 percent, nor shall the cross slope exceed 8%, unless authorized in writing by the fire code official.

Section D103.2.1 is added, to read:

D103.2.1 Angles of approach and departure. The angles of approach and departure for any means of access shall not exceed 10 percent at 10 feet of the grade break.

Section D103.3 is amended to read:

D103.3 Turning radius. Based on a minimum unobstructed width of 20 feet, a fire apparatus access roadway shall be capable of providing a minimum standard turning radius of 25 feet (7620 mm) inside and 45 feet (13 716 mm) outside.

ORDINANCE CONTINUES ON NEXT PAGE

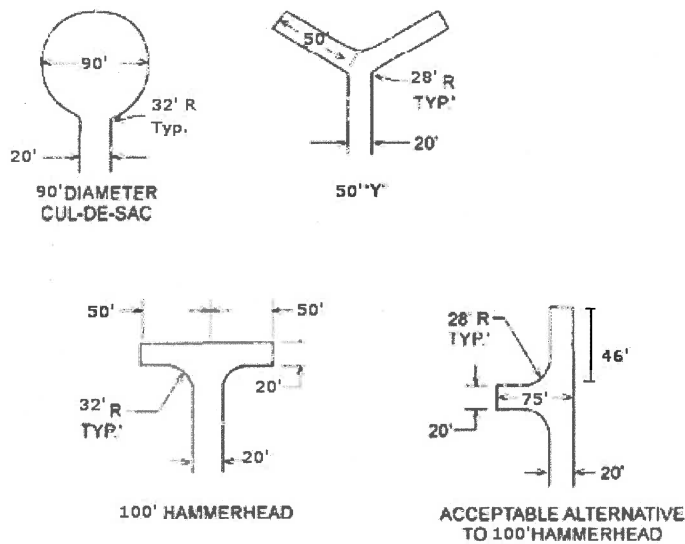
Table D103.4 is amended to read:

**Table D103.4
REQUIREMENTS FOR DEAD-END FIRE
APPARATUS ACCESS ROADS**

LENGTH (feet)	MINIMUM WIDTH (feet)	TURNAROUNDS REQUIRED
0 – 150	20 ^a	None required
151 – 750	20 ^a	100-foot Hammerhead, 50-foot “Y”, 75-foot Shunt or 90-foot-diameter cul-de-sac in accordance with figure D103.1
Over 750	Special approval required ^b	

- a. A driveway with a minimum width of 16 feet is acceptable for access to no more than two single-family dwellings.
- b. Any fire apparatus access roadway or driveway that is approved to be less than 20 feet wide and to exceed 750 feet in length shall have outlets or turnouts every 300 feet along the length of the road or driveway, or at locations approved by the fire code official. Each outlet or turnout shall be of the following dimensions: an 8 foot wide turnout that extends at least 40 feet in length.

Figure D103.1 is amended to read:



**Figure D103.1
Dead-end Fire Apparatus Access Road Turnaround**

Section D103.5 is amended as follows:

Criteria 1 of Section D103.5 is amended to read:

1. The minimum clear width shall be 20 feet (6096mm).

Exception: For access to one or two single-family dwellings, 16 feet clear width is acceptable.

Criteria 9 is added to Section D103.5, to read:

9. All gates shall be installed and located a minimum of 30 feet off the street.

Section D103.6.1 is amended to read:

D103.6.1 Roads less than 28 feet in width. Fire apparatus access roads less than 28 feet wide shall be posted on both sides as a fire lane.

Section D103.6.2 is amended to read:

D103.6.2 Roads 28 feet in width or greater, but less than 36 feet in width. Fire apparatus access roads 28 feet wide or greater, but less than 36 feet wide, shall be posted on one side of the road as a fire lane.

Section D106.1 is amended by deleting the exception and to read:

D106.1 Projects having more than 100 dwelling units. Multiple-family residential projects having more than 100 dwelling units shall be provided with two separate and approved fire apparatus access roads and shall meet the requirements of Section D104.3.

Section D106.2 is deleted in its entirety.

SECTION 3. REPEAL OF FIRE CODE.

Ordinance No. 2013-22, adopting the 2013 California Fire Code with amendments, is hereby repealed.

SECTION 4. REFERENCES TO PRIOR CODE.

Unless superseded and expressly repealed, references in City forms, documents, and regulations to the chapters and sections of the Fire Code of Contra Costa County, the Crockett-Carquinez Fire Protection District, and the Contra Costa County Fire Protection District, 2013, shall be construed to apply to the corresponding provisions contained within the Fire Code of Contra Costa County, the Crockett-Carquinez Fire Protection District, and the Contra Costa County Fire Protection District, 2016. Ordinance 2013-22 and all other ordinances or parts of ordinances in conflict herewith are hereby superseded and expressly repealed.

SECTION 5. VALIDITY.

The Contra Costa County Board of Supervisors declares that if any section, paragraph, sentence, or word of this ordinance or of the 2016 California Fire Code as adopted and amended herein is declared for any reason to be invalid, it is the intent of the Contra Costa County Board of Supervisors that it would have passed all other portions or provisions of this ordinance independent of the elimination here from any portion or provision as may be declared invalid.

SECTION 6. MORE RESTRICTIVE REQUIREMENTS.

If requirements more restrictive than those in this fire code are adopted by the city of Antioch, Clayton, Concord, Lafayette, Martinez, Pittsburg, Pleasant Hill, San Pablo, or Walnut Creek, or the County of Contra Costa, those requirements will apply only within the jurisdiction adopting those requirements.

SECTION 7. EFFECTIVE DATE.

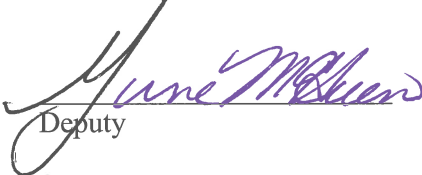
This ordinance becomes effective on January 1, 2017 or 30 days after passage, whichever is later. Within 15 days of passage, this ordinance shall be published once in the Contra Costa Times, a newspaper published in this County. This ordinance shall be published in a manner satisfying the requirements of Government Code Section 25124, with the names of supervisors voting for and against it.

Passed on November 1 2016, by the following vote:

AYES: Gioia, Andersen, Piepho, Mitchoff, Glover
NOES: None
ABSENT: None
ABSTAIN: None

ATTEST: David Twa,
Clerk of the Board of Supervisors
and County Administrator


Board Chair Candace Andersen

By: 
Deputy

[SEAL]

KCK:
H:\FPD\2016\Fire Code Ord\Ordinance No. 2016-23 Fire Code Adoption Ord - final.docx